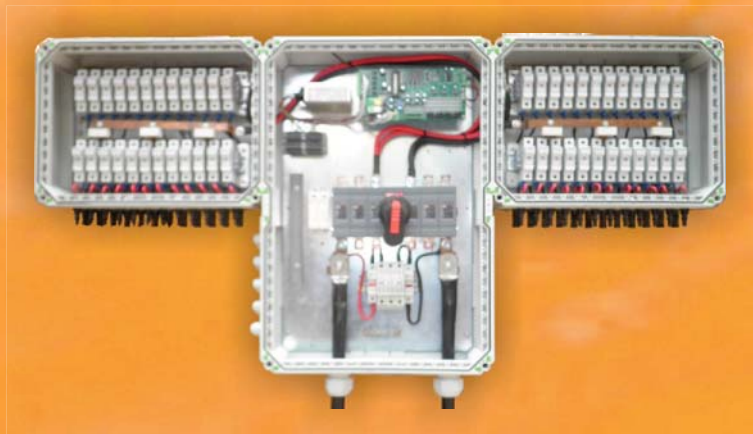
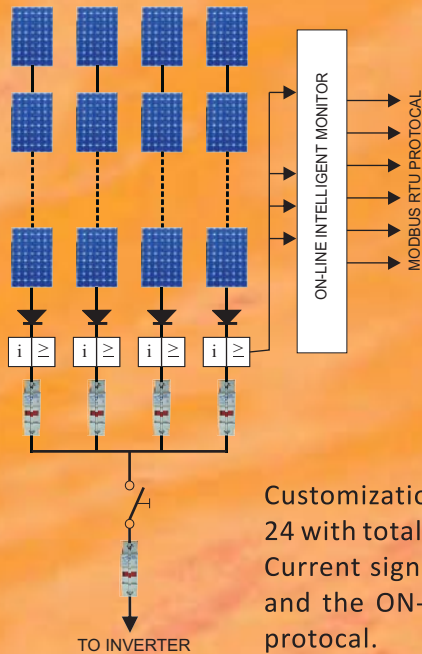


INTELLIGENT STRING MONITOR

Statcon offers wide range of Intelligent String Monitor Boxes suitable for crystalline/ Thin fibre / Cd-Te / Other types of SPV panels with DC bus voltages ranging from 400V upto 1000V (1100V peak). STATCON's Intelligent String Monitor boxes are available with or without the blocking diode.



24 Channel String Monitoring Panel

Customization can be done depending upon the types and nos. of strings from 8 upto 24 with total output currents of upto 320A.

Current signals in each string is monitored through isolated accurate current sensor and the ON-line monitoring of current in each string is available on MODBUS RTU protocol.

Each of crystalline modules have high voltage blocking diodes (>1600V) are used on each string with heat dissipation so distributed that the inside temperature remains within safe limits even with ambient going upto 55°C.

Lightning and Surge protection on output DC lines is provided with full rating isolator.

EXTRA FEATURES:

On board temperature measurement, Remote trip for output isolator, SPD status etc. available as options, SPD with soft / hard contacts, on board as well as remote slave ID configuration

TECHNICAL DETAILS OF INTELLIGENT STRING MONITOR

- ◆ Power supply : 230V AC ± 10% or 110V DC ± 2%
- ◆ Ambient : -10°C upto 55°C
- ◆ Type of enclosure : IP65 type polycarbonate (Metal box on request)
- ◆ Number of strings : 8, 16, 18, 24
- ◆ Maximum current per string : 10A maximum for ST16_CXX type model
20A maximum for ST25_AXX type mode
- ◆ Type of fuse in each string : High voltage solar fuse₂
- ◆ Type of Solar input terminals : 1000V terminals, 6mm² to 16mm²
MC3 / MC4 type connector on request
- ◆ DC surge protection : 3 Elements Y type connection
- ◆ Type of output isolator : 125A / 200A as per requirement
- ◆ Output fuse of full rating : Full rating 1000V output fuse on request
- ◆ Data communication : MODBUS RTU for all string current and Bus voltage

STATCON'S PRODUCT RANGE FOR SOLAR APPLICATIONS

- Hybrid Solar Inverter
- Off-Grid Solar Inverter
- 24V/48V MPPT Charge Controllers
- 110V/220V MPPT Chargers
- Array Junction Box
- 24V/48V DC Solar-Mains-DG-Hybrid System
- MW Solar Inverter Solution from Answer Drives, Italy
- 3 Phase Bi-Directional solar Inverter

Statcon Power Controls Ltd.

A-34, Sector-59, Noida, G.B.Nagar - 201301
Ph.: +91-120-3851760 Fax: +91-120-3851796
Web Site : www.stat-con.com, E-mail: info@stat-con.com